

in 51TS2P2D Series
51TS2N2D

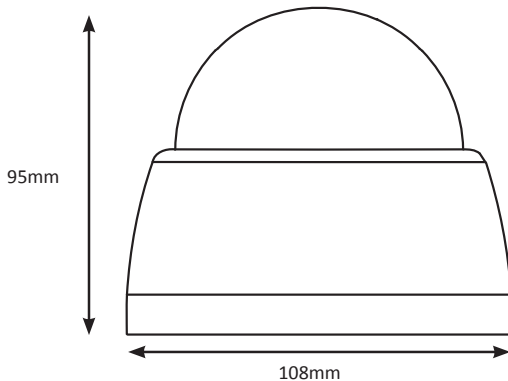


**Compact TVI/Analog
Full HD (1080P) Indoor
WDR Dome Camera**



The inMotion in51TS2x2D is the next generation in our line of ultra compact vandal resistant domes. Offering Full HD resolution, TVI and Analog outputs, new Wide-D WDR performance combined with 3D Digital Noise reduction, this compact camera will produce high quality video in the varying lighting conditions experienced in modern installations. The in51TS2x2D series is very compact and flexible enough to meet any installation requirement.

- Compact Die Cast Construction
- inMotion Thermal Management
- inMotion inViVid® Color Technology
- 3-Axis Gimbal
- Mega Pixel Sensor
- Full HD (1080P)
- Software Day/Night Function
- Min. Illumin. 0.01 Lux
- Wide Dynamic Range (WDR) 130db
- Backlight Compensation (BLC)
- Highlight Compensation (HLC)
- Dual Output, TVI & CVBS Analog
- 3D DNR
- Sense Up
- Selectable Shutter Speeds
- Focus Assist Feature
- OSD Menu
- Up the Coax (UTC) OSD from DVR
- Privacy Zones
- Motion Detection Zoom Function
- On board (Analog) Service Jack/Programmer
- 12VDC/24VAC



	System	NTSC	PAL
Imaging	Sensor	Mega Pixel Sensor	
Performance	TVI Resolution	Full HD (1080P)	
	Analog Resolution	1000TVL	
	Wide Dynamic Range	130dB Max	
	Sensitivity	0.01Lux	
	S/N Ratio	52dB	
	Day / Night	Software Controlled	
Lens	Type	DC	
	Focal Length	2.8~12mm	3.5~16mm
Functions	OSD	English/Chinese	
	Shutter	1/25~1/30,000	
	Flickerless	On/Off	
	Wide Dynamic Range	Off/Low/Medium/High	
	HLC (High Light Supp)	Off/Low/Medium/High	
	BLC (Back Light Comp)	Off/Low/Medium/High	
	DEFOG	Off/Low/Medium/High	
	AGC	Off/Adjustable Level	
	Sens Up	Adjustable level	
	Electronic shutter	Yes	
	Sync	Internal/External	
	Camera ID Number	Off/On 0~256	
	Camera Name	Off/On, 15 Characters	
	White Balance	AWB/Auto, Autoext, Preset, Manual	
	3D DNR	Off/Low/Medium/High	
	Gamma	0.45~0.7	
	Color Gain	Adjustable	
	Motion Detection	3 areas, Off/On, Position & Sensitivity	
	Privacy masking	16 areas, Off/On, Color, Position	
Image functions	Flip, Mirror, D-Zoom, Motion Zoom		
Input/Output	Video Output	TVI BNC	
		CVBS 1.0Vp-p 75Ω	
		CVBS 1.0Vp-p 75Ω - Service port	
	Programming interface	On Board Service Jack	
Power	Voltage	12VDC/24VAC ±10%	
	Power	4.2W Max.	
Environmental	Operating Temperature	-10°C~+50°C	
	Humidity	Less than 90%, non condensing	
Physical	Construction	Aluminum shell, polycarbonate bubble	
	Dimensions	108mm Ø x 95mm H	
	Weight	550g	
Order Codes	2.8~12mm	in51TS2N2D28V12	in51TS2P2D28V12
	3.5~16mm	in51TS2N2D35V16	in51TS2P2D35V16

inMotion International reserve the right to amend specifications and design without prior notice